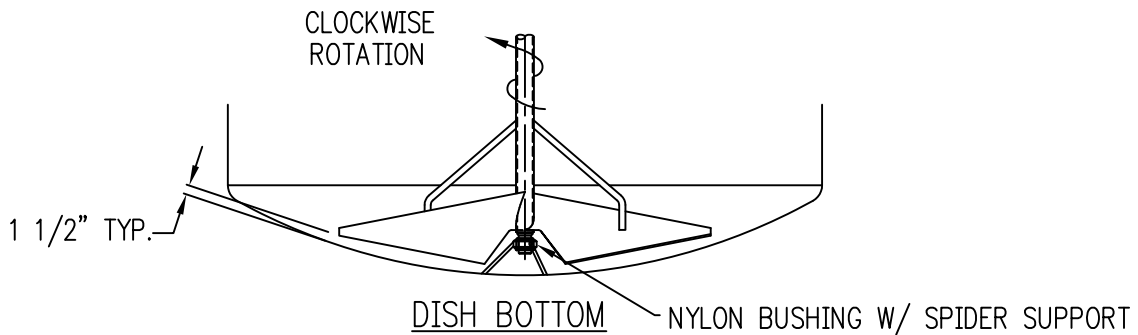
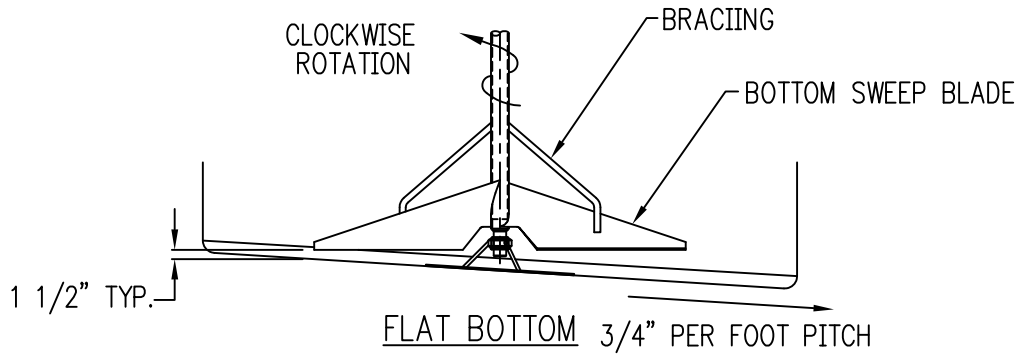


- STANDARD OPTIONS:
1. 120° INCLUDED ANGLE
 2. 140° INCLUDED ANGLE
 3. 150° INCLUDED ANGLE



GPM	HORSEPOWER	RPM	SWEEP DIA.	SHAFT SIZE
6,000	2	25	48"	2" SCH40
4,500	2	41	36"	2" SCH40
12,000	3	29	60"	2" SCH40
9,000	3	47	48"	2" SCH40
18,000	5	27	72"	2.5" SCH40
15,000	5	43	60"	2.5" SCH40
24,000	7.5	25	84"	3" SCH40
18,000	7.5	43	72"	2.5" SCH40

NOTES:

1. 304 STN STL AND 316L STN STL OPTIONS
2. VARIOUS OPTIONS DEPENDING ON TANK SIZE AND APPLICATION

**FELDMEIER
EQUIPMENT**

575 E.MILL STREET
LITTLE FALLS, NY 13365

L:\PROJECTS\CUT SHEETS\AGITBS.DWG

REV - A EFFECTIVE 10/24/08

BOTTOM SWEEP
AGITATION STANDARD
OPTIONS LAYOUT