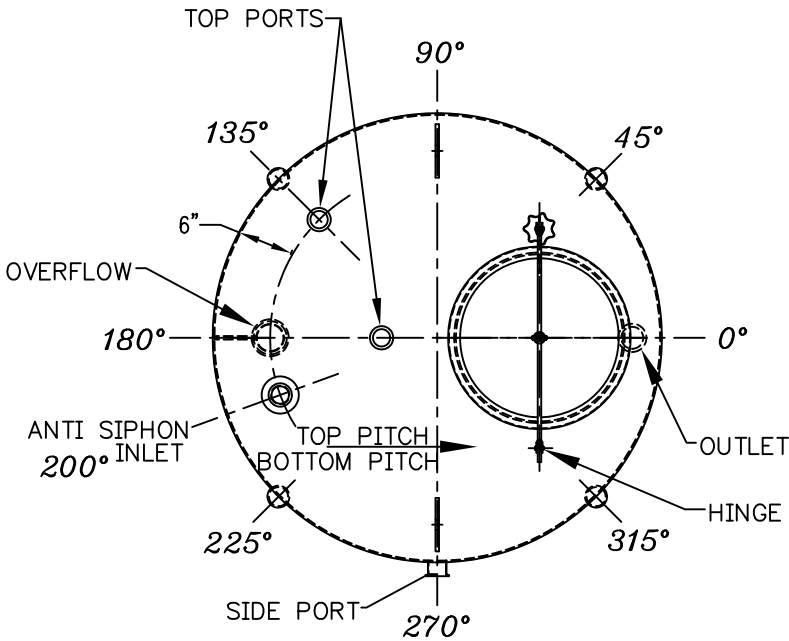


PRODUCT CONTACT MATERIAL: 304SS  316LSS



PLAN VIEW

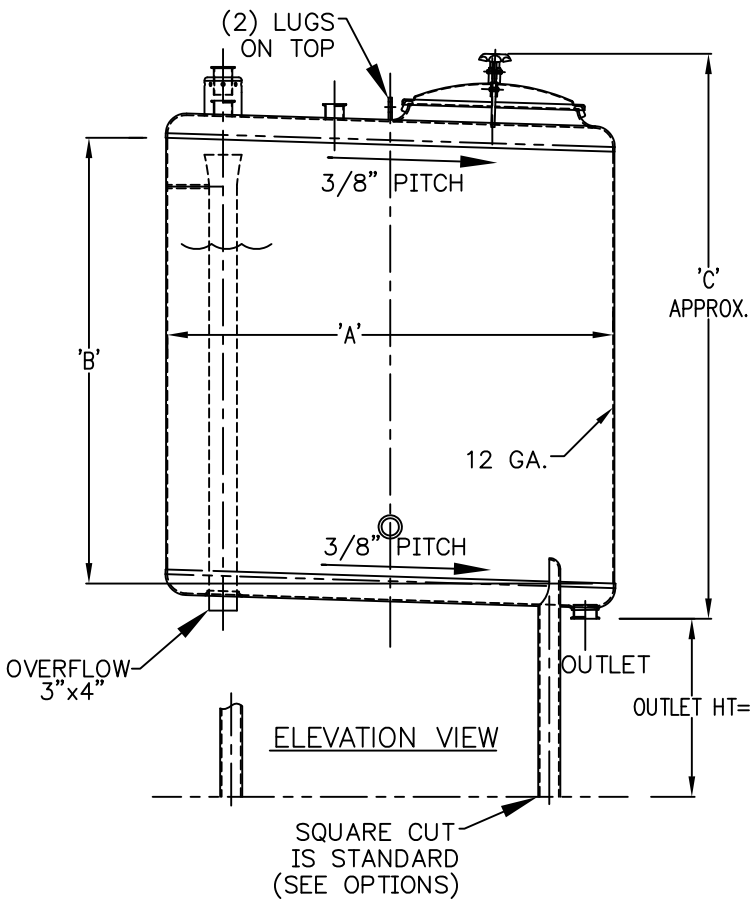
VESSEL SPECS:	
TOP HEAD:	10GA. PITCHED 3/8"/FOOT
BOTTOM HEAD:	10GA. PITCHED 3/8"/FOOT
SHELL:	12GA.
MANWAY:	18" W/HINGE AND GASKET
LEGS:	304SS 2" SCH 40

FITTINGS: (SANITARY CLAMP) INDICATE QUANTITY IN CHECK BOX				
OUTLET:	1-1/2" <input type="checkbox"/>	2" <input type="checkbox"/>	2-1/2" <input type="checkbox"/>	3" <input type="checkbox"/> 4" <input type="checkbox"/>
ANTI SIPHON INLET:	1-1/2" <input type="checkbox"/>	2" <input type="checkbox"/>	2-1/2" <input type="checkbox"/>	3" <input type="checkbox"/> 4" <input type="checkbox"/>
TOP PORTS:	1-1/2" <input type="checkbox"/>	2" <input type="checkbox"/>	2-1/2" <input type="checkbox"/>	3" <input type="checkbox"/> 4" <input type="checkbox"/>
SIDE PORT:	1-1/2" <input type="checkbox"/>	2" <input type="checkbox"/>	2-1/2" <input type="checkbox"/>	3" <input type="checkbox"/> 4" <input type="checkbox"/>

OPTIONS: CHECK IN BOX IF REQUIRED	
FEET:	ADJUSTABLE <input type="checkbox"/> BALLED <input type="checkbox"/> FLANGED <input type="checkbox"/>
CIP SPRAY UNIT:	<input type="checkbox"/> 1-1/2" CONNECTION
OTHER:	

INTERNAL FINISH SPECIFICATION: CHECK IN BOX AS REQUIRED	
MATERIAL:	2B FINISH <input type="checkbox"/> #4 FINISH <input type="checkbox"/>
WELDS:	COLOR REMOVED <input type="checkbox"/> 150 GRIT <input type="checkbox"/>
EXCEPTIONS:	

EXTERNAL FINISH SPECIFICATION:	
MATERIAL:	2B FINISH <input type="checkbox"/> #4 FINISH <input type="checkbox"/>
WELDS:	COLOR REMOVED <input type="checkbox"/> 150 GRIT <input type="checkbox"/>
EXCEPTIONS:	



ELEVATION VIEW

OPTIONS

ANTI SIPHON INLET	TOP PORT	ADJUSTABLE BALL FOOT
SPRAY BALL RETURN	SIDE PORT	ADJUSTABLE 6"X6" FOOT

STANDARD SIZES:

CAPACITY(GALLONS)	'A'	'B'	'C'
100	28"	36"	50"
150	36"	36"	50"
200	36"	48"	62"
300	48"	48"	62"
400	48"	60"	74"
500	48"	72"	86"

SPECIAL SIZE: (INDICATE BELOW)

CAPACITY(GALLONS)	'A'	'B'	'C'

NOTES:

1) OVERALL HEIGHT = 'C' + OUTLET HEIGHT

**FELDMEIERS**  
**EQUIPMENT**

575 E.MILL STREET  
LITTLE FALLS, NY 13365

L:\PROJECTS\Cut Sheets\CIP TANKS.DWG

REV -

DIMENSION DRAWING  
CIP TANKS  
SINGLE SHELL TANK