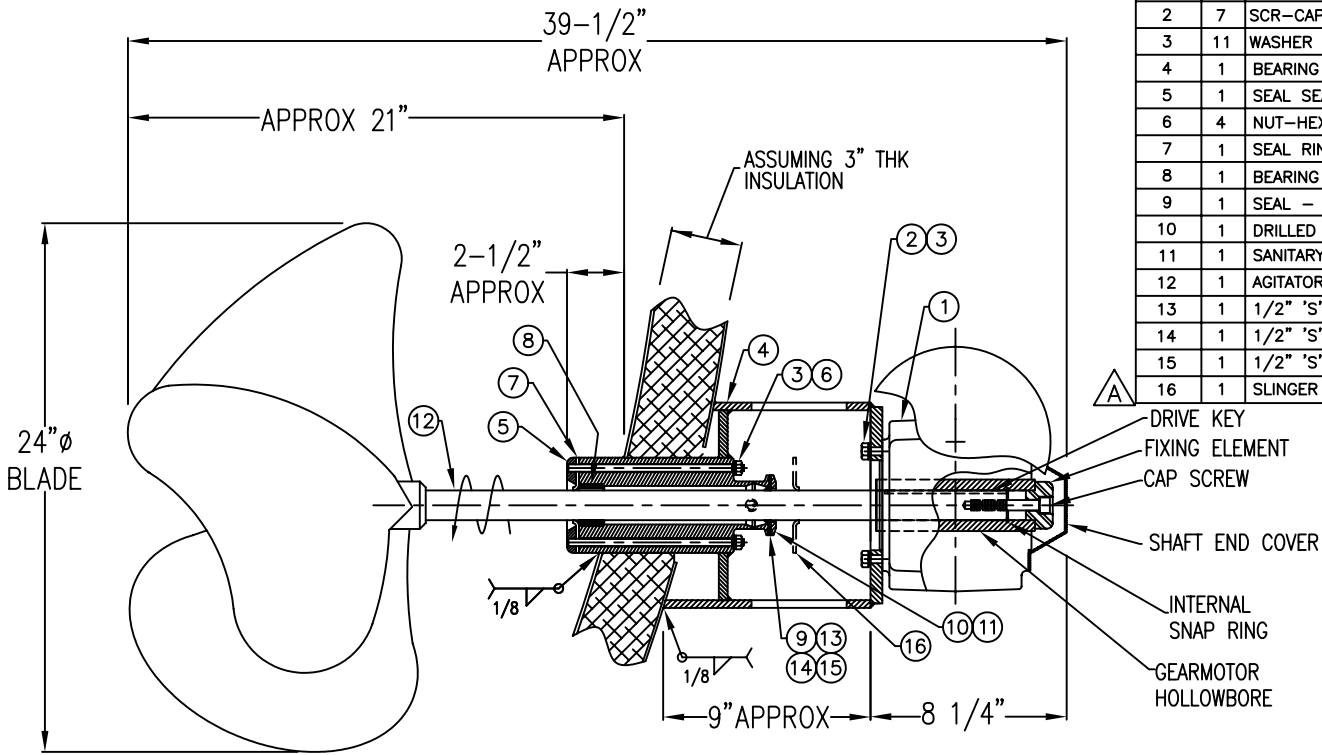
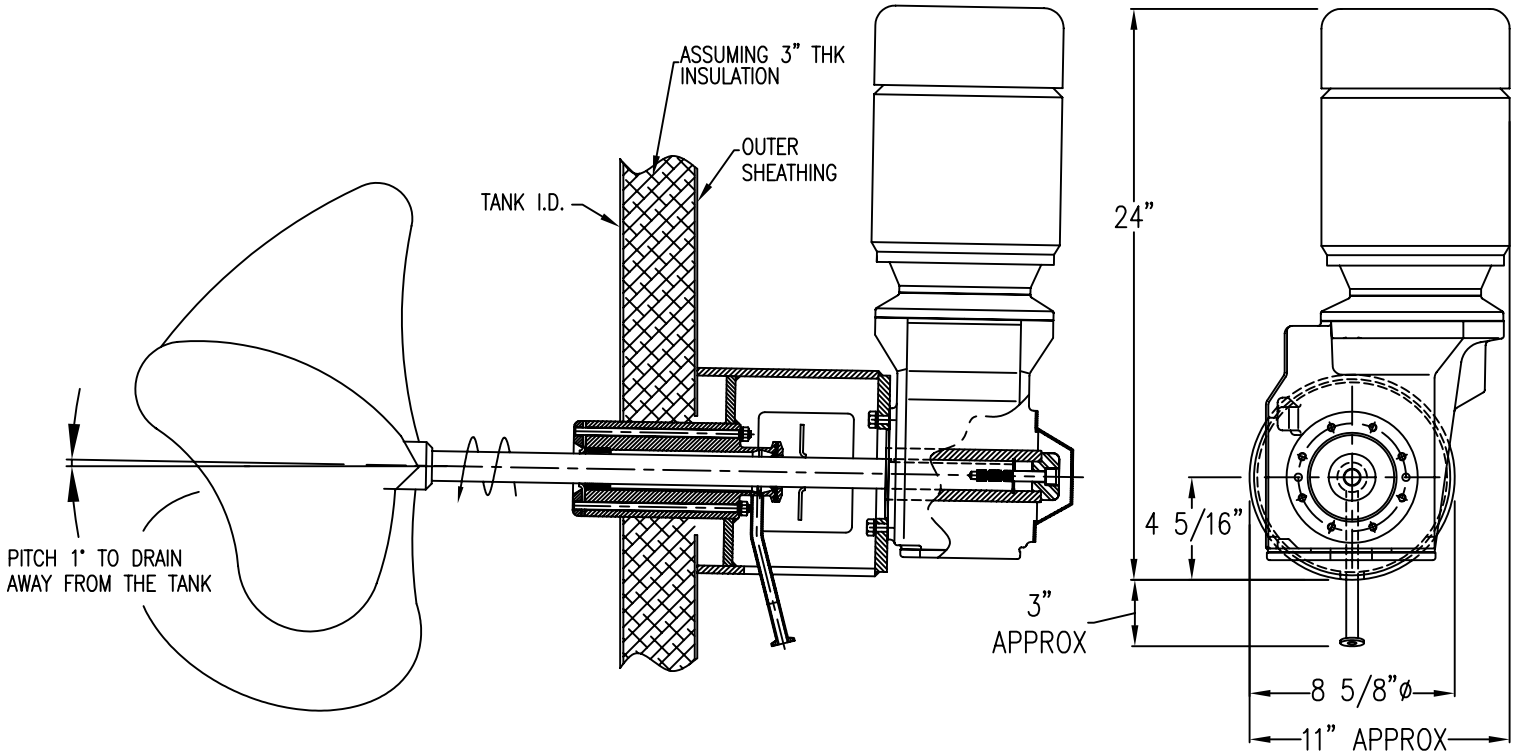


AGITATION COMPONENTS

ITEM#	QTY	DESCRIPTION
1	1	NORD 2 HP 63 RPM SK92672AZ
2	7	SCR-CAP HH M8 X 25MM
3	11	WASHER - LOCK 5/16"
4	1	BEARING RETAINER / MOTOR MOUNT
5	1	SEAL SEAT ASSEMBLY
6	4	NUT-HEX, 5/16-18UNC
7	1	SEAL RING - WHITE SILICONE
8	1	BEARING - RULON
9	1	SEAL - FOR 1.250" SHAFT
10	1	DRILLED CAP - FOR 1.250" SHAFT
11	1	SANITARY CONNECTION CLAMP
12	1	AGITATOR SHAFT
13	1	1/2" 'S' CAP
14	1	1/2" 'S' GASKET
15	1	1/2" 'S' CLAMP
16	1	SLINGER



PLAN VIEW



SIDE ELEVATION

FRONT ELEVATION

NOTE: DIMENSIONS ARE FOR REFERENCE ONLY AND MAY VARY FROM TANK TO TANK DEPENDING ON AGITATOR PLACEMENT, TANK DIAMETER, THICKNESS OF INSULATION ETC...

AGITATOR ASSEMBLY SHOWN IS STANDARD MODEL #2501531

SCALE: NONE	REV -	FELDMER EQUIPMENT 575 E. Mill Street Little Falls, NY 13365	DRAWN BY: CMH
DATE: 5/20/05	SHEET: 1 of 1		FILE#: L:\PROJECTS\Cut Sheets
STANDARD HORIZONTAL AGITATOR WITH ESTIMATED OVERALL DIMENSIONS			DRAWING NO. HORIZAGITDIM