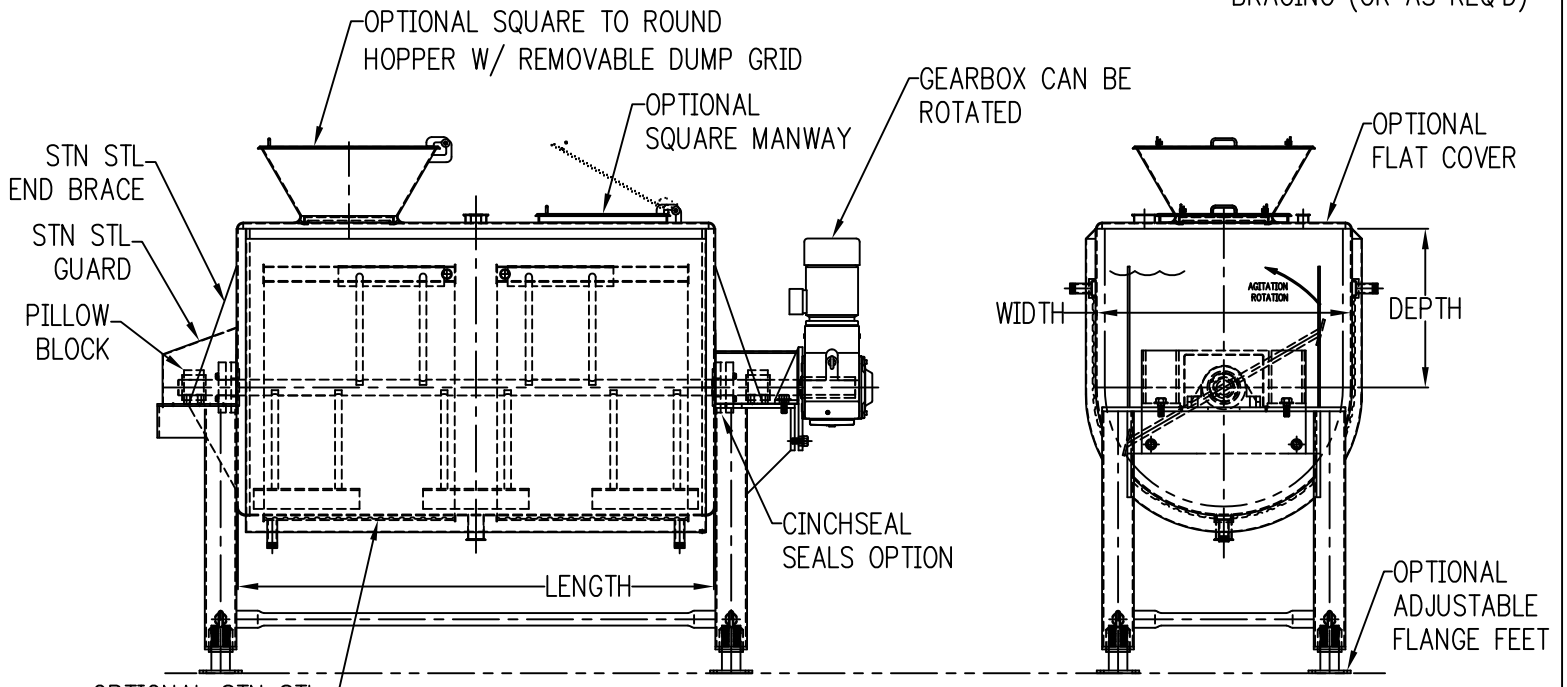


SINGLE SHELL / NO INSULATION



HEAT TRANSFER / INSULATED

OPTIONAL STN STL
HEAT TRANSFER SURFACE
W/ PIPE CONNECTIONS



CINCHSEAL OPTION



TEFLON PACKING SEAL OPTION

NOTES:

1. 304 STN STL AND 316L STN STL OPTIONS
2. VARIOUS OPTIONS DEPENDING ON TANK SIZE AND APPLICATION

| CAPACITY | DIMENSIONS | | | THICKNESS | |
|-----------|------------|--------|-------|-----------|-------|
| | WIDTH | LENGTH | DEPTH | ENDS | SHELL |
| 1000 GAL. | 60" | 90" | 36" | 5/16" | 1/4" |
| 750 GAL. | 48" | 90" | 30" | 1/4" | 7 GA. |
| 500 GAL. | 42" | 76" | 30" | 1/4" | 7 GA. |
| 300 GAL. | 36" | 70" | 24" | 1/4" | 7 GA. |

FELDMEIER EQUIPMENT

575 E.MILL STREET
LITTLE FALLS, NY 13365

L:\PROJECTS\CUT SHEETS\HORIZ PADDLE.DWG

REV -- EFFECTIVE 10/20/08

HORIZONTAL BLENDER
PADDLE AGITATION
OPTIONS LAYOUT