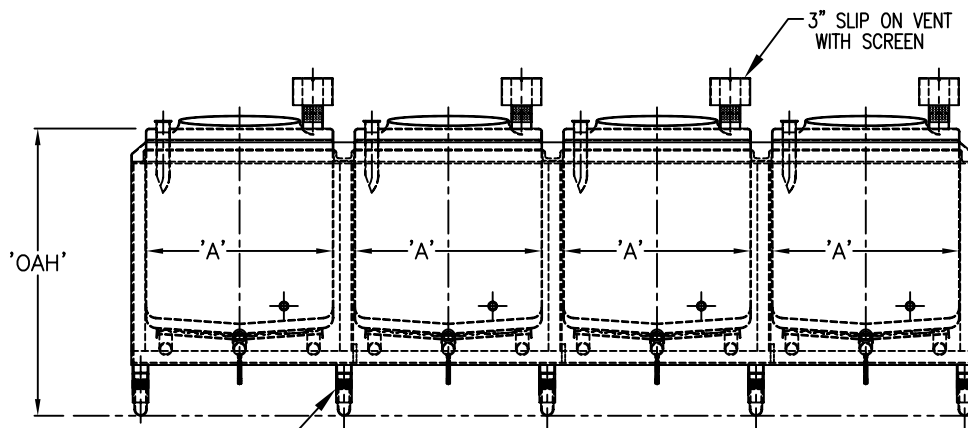
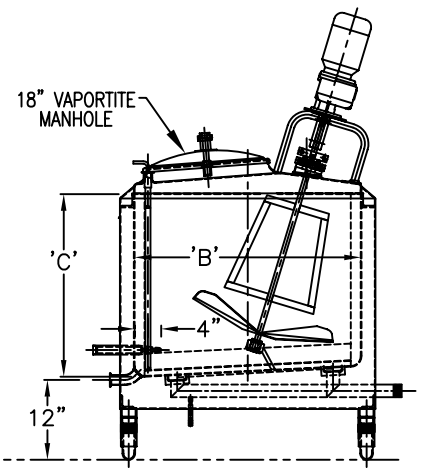


PLAN VIEW



ELEVATION



SIDE VIEW

FRAME W/(10)  
LEGS W/ADJ.  
BALL FEET  
TYPE 304SS

**NOTE:**

1) FOR MIX & BLEND OPTION'S SEE (1) COMPARTMENT DRAWING

CAPACITY GALLON	'A'	'B'	'C'	'D'	'E'	'OAH'	LEGS	HTS BOTTOM PER COMP	EST WT LB
100	28"	34"	27-7/16"	39"	127"	44"	10	3.5 SQ. FT	2,060#
150	28"	34"	39-11/16"	39"	127"	56"	10	3.5 SQ. FT	2,330#
200	38"	44"	31-1/2"	49"	167"	48"	10	8.0 SQ. FT	2,675#
250	38"	44"	38"	49"	167"	54"	10	8.0 SQ. FT	2,920#
300	38"	44"	44-15/16"	49"	167"	61"	10	8.0 SQ. FT	3,880#
400	50"	56"	36-7/8"	62"	216"	53"	10	14.5 SQ. FT	5,325#
500	50"	56"	45-1/8"	62"	216"	61"	10	14.5 SQ. FT	6,160#
600	50"	56"	53-3/8"	62"	216"	70"	10	14.5 SQ. FT	6,875#
800	66"	60"	50-15/16"	67"	281"	67"	10	21.5 SQ. FT	9,150#
1,000	66"	60"	62-5/8"	67"	281"	79"	10	21.5 SQ. FT	10,275#

**NOTES:**

- 1) BASIC HEADER DESIGN, (1) INLET, (2) OUTLETS 1-1/4" NPT MALE HTS CONNECTIONS
- 2) HEAT TRANSFER SURFACE RATED FOR 100 PSIG AT 350 DEG. F STANDARD
- 3) ASME 'U' CERTIFICATION AVAILABLE
- 4) SINGLE SPRAY UNIT RATED FOR 40 GPM @ 25 PSIG

**FELDMEIER  
EQUIPMENT**

575 E.MILL STREET  
LITTLE FALLS, NY 13365

L:\PROJECTS\CUT SHEETS\MB4COMP.DWG

REV - EFFECTIVE 9/2004

DIMENSION DRAWING  
MIX & BLEND (4) COMPARTMENT  
INSULATED TANK