

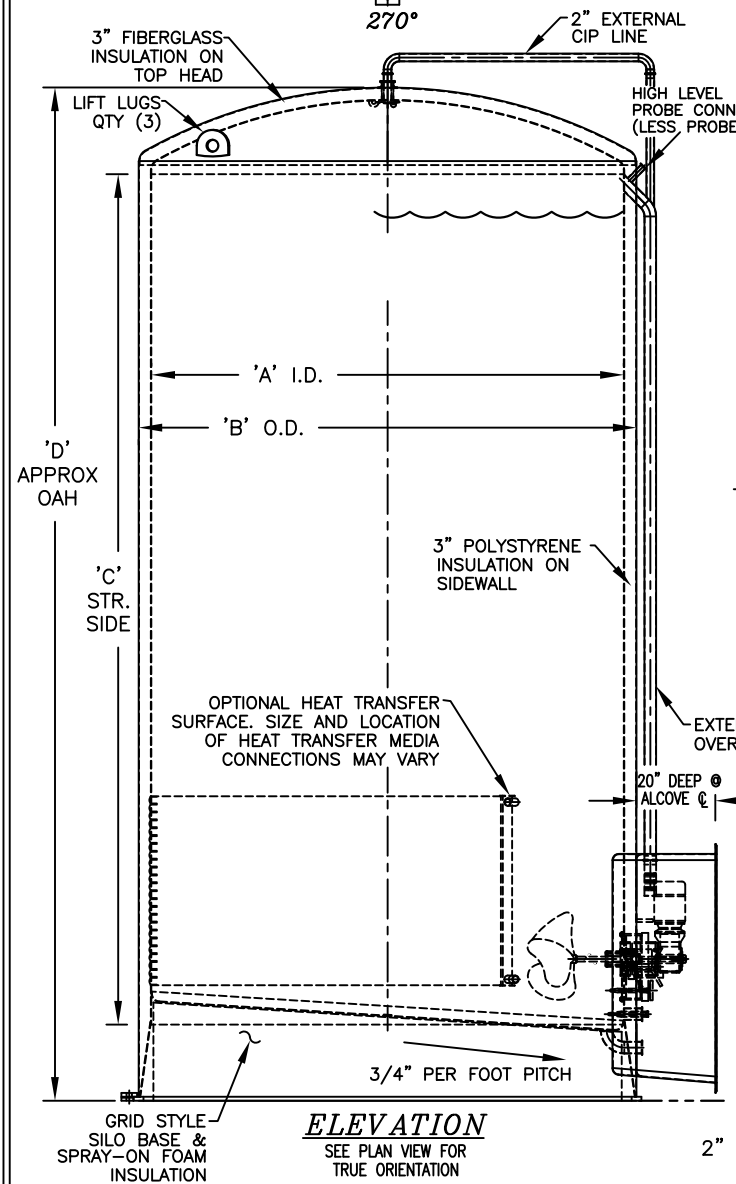
**PLAN VIEW**

CAPACITY	DIM 'A'	DIM 'B'	DIM 'C'	DIM 'D'	WEIGHT (LBS) (ALL 12GA TRIM)	WEIGHT (LBS) (LIGHT GA TRIM)
70,000	143"	149-1/2"	85'-0"	88'-9"	45,000 LBS	38,000 LBS
60,000	162"	168-1/2"	57'-0"	61'-0"	37,000 LBS	32,000 LBS
60,000	143"	149-1/2"	73'-0"	76'-9"	38,000 LBS	32,500 LBS
50,000	162"	168-1/2"	48'-0"	52'-0"	33,000 LBS	29,000 LBS
50,000	143"	149-1/2"	62'-0"	65'-9"	34,000 LBS	29,000 LBS
50,000	136"	142-1/2"	68'-0"	71'-9"	34,500 LBS	30,000 LBS
40,000	162"	168-1/2"	38'-0"	42'-0"	29,000 LBS	26,000 LBS
40,000	143"	149-1/2"	49'-0"	52'-9"	29,000 LBS	25,500 LBS
40,000	136"	142-1/2"	54'-0"	57'-9"	29,500 LBS	26,000 LBS
30,000	162"	168-1/2"	30'-0"	34'-0"	26,000 LBS	23,500 LBS
30,000	143"	149-1/2"	37'-0"	40'-9"	24,000 LBS	22,000 LBS
30,000	136"	142-1/2"	41'-0"	44'-9"	25,000 LBS	22,500 LBS
25,000	143"	149-1/2"	31'-0"	34'-9"	22,000 LBS	20,500 LBS
25,000	136"	142-1/2"	35'-0"	38'-9"	22,000 LBS	21,000 LBS
20,000	143"	149-1/2"	25'-0"	28'-9"	20,000 LBS	19,000 LBS
20,000	136"	142-1/2"	28'-0"	31'-9"	19,500 LBS	19,000 LBS
20,000	126"	132-1/2"	32'-0"	35'-7"	19,500 LBS	18,000 LBS
20,000	120"	126-1/2"	35'-0"	38'-6"	17,000 LBS	17,000 LBS
15,000	136"	142-1/2"	21'-0"	24'-9"	17,000 LBS	17,000 LBS
15,000	120"	126-1/2"	27'-0"	30'-6"	17,000 LBS	16,000 LBS
12,000	136"	142-1/2"	17'-0"	20'-9"	15,500 LBS	-
12,000	120"	126-1/2"	22'-0"	25'-6"	15,000 LBS	14,500 LBS
10,000	132"	138-1/2"	15'-0"	18'-7"	14,000 LBS	-
10,000	120"	126-1/2"	18'-0"	21'-6"	14,000 LBS	13,500 LBS
10,000	114"	120-1/2"	20'-0"	23'-5"	13,500 LBS	13,500 LBS
10,000	108"	114-1/2"	22'-0"	25'-4"	13,000 LBS	13,000 LBS
9,000	120"	126-1/2"	17'-0"	20'-6"	13,500 LBS	13,500 LBS
8,000	120"	126-1/2"	15'-0"	18'-6"	13,000 LBS	-
7,000	120"	126-1/2"	13'-0"	16'-6"	12,000 LBS	-
6,000	120"	126-1/2"	12'-0"	15'-6"	10,500 LBS	-
6,000	102"	108-1/2"	16'-0"	19'-4"	10,000 LBS	-
6,000	90"	96-1/2"	20'-0"	23'-3"	9,500 LBS	9,500 LBS
5,000	108"	114-1/2"	12'-0"	15'-4"	9,000 LBS	-
5,000	96"	102-1/2"	15'-0"	18'-3"	8,000 LBS	-
4,000	96"	102-1/2"	12'-0"	15'-3"	8,400 LBS	-
3,000	96"	102-1/2"	9'-0"	12'-3"	7,600 LBS	-

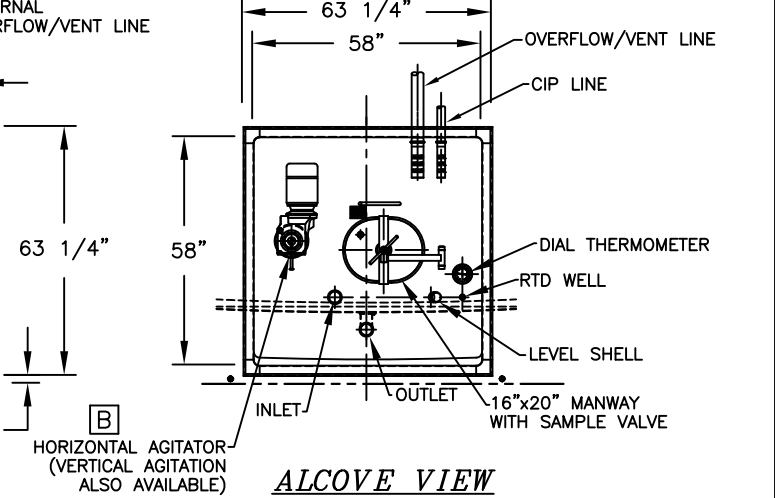
\*OTHER SIZES AVAILABLE - CONSULT FELDMEIER EQUIPMENT SALES FOR INFORMATION AND PRICING

**NOTES:**

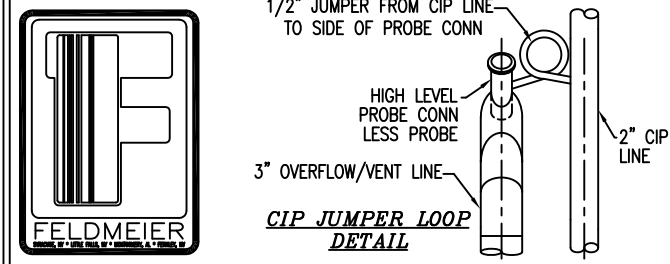
- 1.) ALL DIMENSIONS AND FITTING LOCATIONS TO BE VERIFIED ON THE SUBMITTAL DRAWINGS.
- 2.) STAINLESS STEEL OUTER SHEATHING IS STANDARD.
- 3.) SILO IS DESIGNED TO SIT ON A FLAT CONCRETE PAD, CONSULT THE FACTORY IF OTHER MOUNTING IS REQUIRED.
- 4.) CUSTOMER TO SPECIFY HEATING/COOLING MEDIA (AMMONIA, FREON OR GLYCOL). HEAT TRANSFER SURFACE IS ASME CERTIFIED.
- 5.) HORIZONTAL CIP-ABLE AGITATOR SHOWN, VERTICAL AGITATION AVAILABLE.
- 6.) ALCOVE CAN BE SHIPPED LOOSE FOR FIELD INSTALLATION BY OTHERS, OR FACTORY WELDED TO THE TANK.
- 7.) SEE ACCESSORY LISTING FOR ALL OTHER AVAILABLE ACCESSORIES.



**ELEVATION**  
SEE PLAN VIEW FOR TRUE ORIENTATION



**ALCOVE VIEW**



**CIP JUMPER LOOP DETAIL**

**FELDMEIER EQUIPMENT**

575 E.MILL STREET  
LITTLE FALLS, NY 13365

L:\PROJECTS\CUT SHEETS\SILO-EXTERNAL.DWG

REV E - EFFECTIVE 7/7/11

SILO STORAGE TANKS  
STANDARD DIMENSIONS  
EXTERNAL CIP/OVERFLOW/VENT LINES