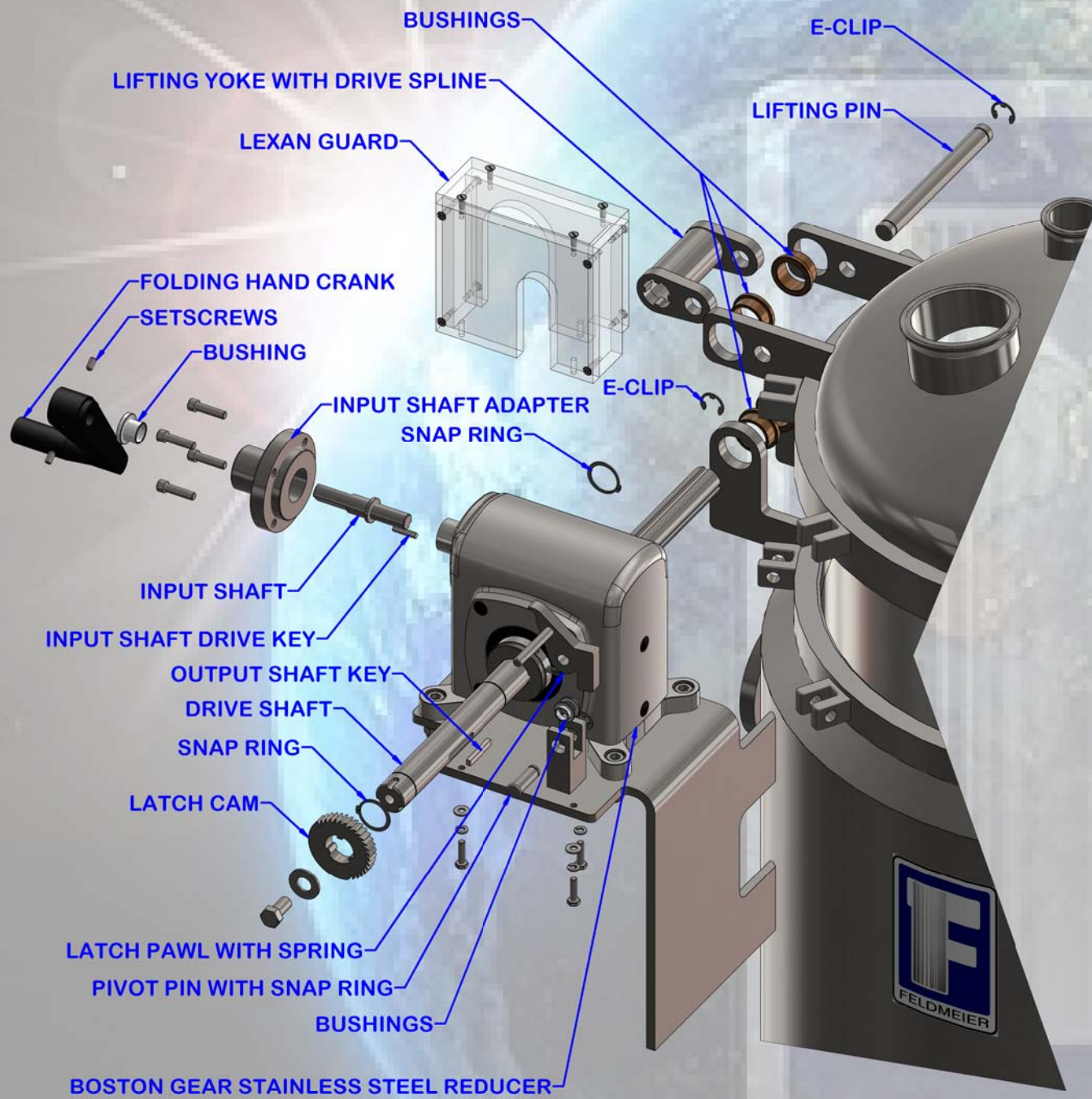
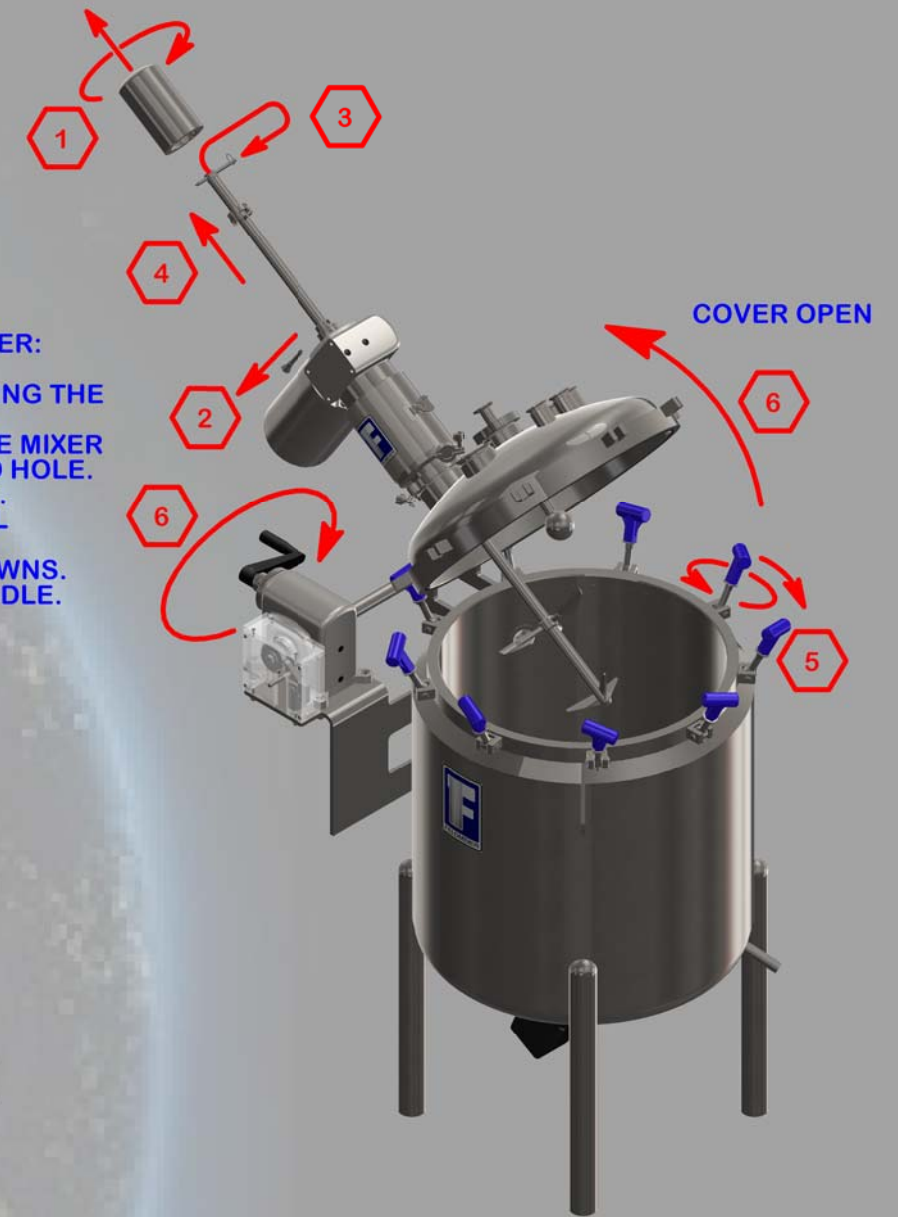


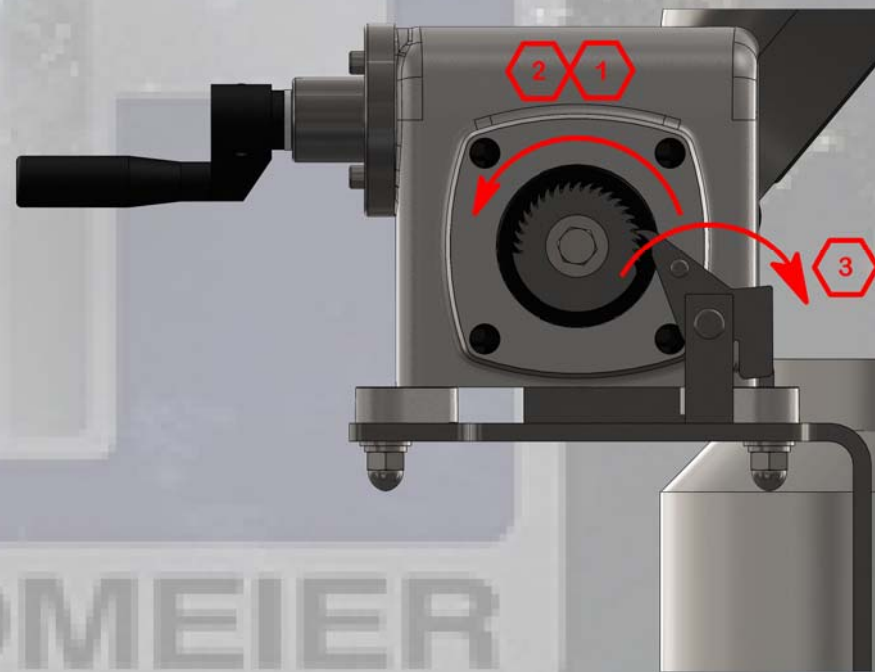
FELDMEIER GEAR REDUCED HINGED COVER LIFT ASSIST FOR USE ONLY WITH THE FELDMEIER FARMAMIXER



- TO RAISE LID WITH THE FELDMEIER FARMAMIXER:**
- 1) TWIST AND REMOVE SHAFT COVER.
 - 2) REMOVE QUICK RELEASE DRIVE PIN SECURING THE QUILL SHAFT TO THE MIXER SHAFT.
 - 3) REMOVE THE CLEVIS PIN AT THE END OF THE MIXER SHAFT AND INSTALL IN THE CROSS DRILLED HOLE. THE CLEVIS PIN CAN BE USED AS A HANDLE.
 - 4) LIFTUP THE MIXER SHAFT UNTIL THE VESSEL SIDEWALL IS CLEARED.
 - 5) LOOSEN AND ROTATE THE COVER HOLDDOWNS.
 - 6) OPEN THE LID BY TURNING THE CRANK HANDLE.



**PROGRESSIVE TRAVEL SAFETY LATCH:
(SHOWN WITH COVER REMOVED)**



COVER CLOSED



FEATURES:

- NO EXTERNAL LIFTING DEVICES REQUIRED, OFFSET LOADS DO NOT AFFECT OPERATION.
- NO UTILITIES REQUIRED, EASY MANUAL OPERATION.
- ALL STAINLESS STEEL CONSTRUCTION INCLUDING GEAR REDUCER.
- EASY, SMOOTH OPERATION. COVER CAN BE RAISED WITH ONE HAND.
- PROGRESSIVE TRAVEL SAFETY LATCH PREVENTS LID FROM CLOSING THROUGHOUT THE TRAVEL.
- OPERATORS HANDS ARE KEPT AWAY FROM ALL PINCH POINTS AND AWAY FROM THE LOAD.
- HIGH GEAR RATIO REDUCER IS SELF LOCKING AND REQUIRES MINIMAL OPENING FORCE.
- WELL SUITED FOR PORTABLE VESSELS.
- SANITARY CONSTRUCTION.
- FOR USE WITH FELDMEIER FARMAMIXER ONLY. OTHER MIXER CONSTRUCTIONS NOT SUITABLE.

1. AS LID IS RAISED THE LATCHING CAM ROTATES WITH THE DRIVE SHAFT.
2. THE SPRING LOADED LATCH PAWL LOCKS THE CAM TO PREVENT THE COVER FROM CLOSING AS THE LID IS LIFTED.
3. TO LOWER THE LID, THE LATCHING PAWL MUST BE DISENGAGED WHILE CLOSING.