



Feldmeier Rapidmixer Model 'RM'

The Feldmeier Rapidmixer is a High Shear Mixing Vessel designed for the rapid incorporation of difficult to wet powders and other ingredients. The bottom impeller rotating at 1750 RPM provides violent mixing action and pumps the product through a narrow gap in the bottom sump to add shear. The square shape of the vessel has a baffling effect which provides a rolling vortex to draw ingredients into the mixing head.

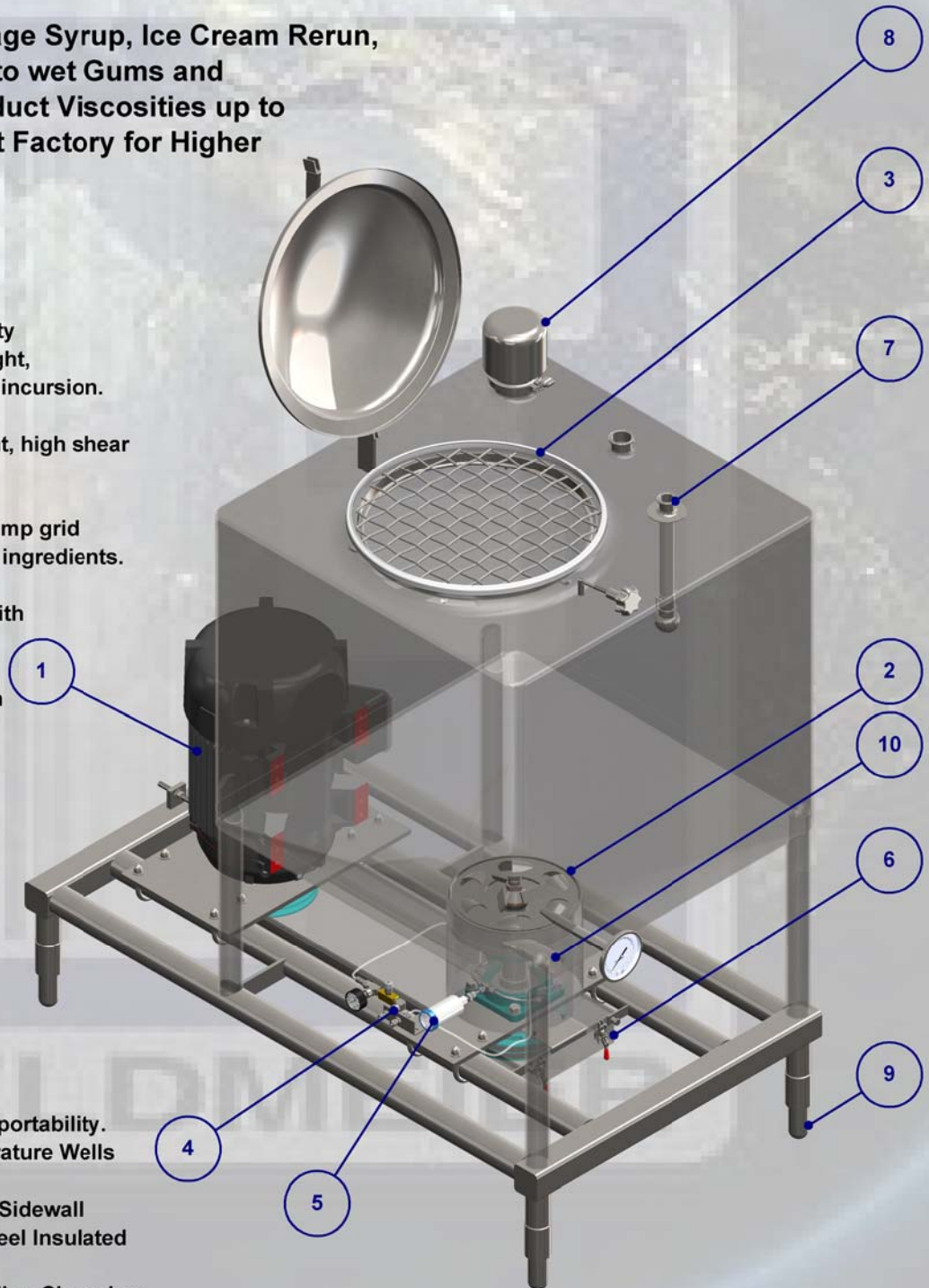
Typical Applications: Beverage Syrup, Ice Cream Rerun, Shredding Cheese, Difficult to wet Gums and Thickening Ingredients. Product Viscosities up to 2,500 CPS Standard, Consult Factory for Higher Viscosities.

Standard Features:

- 1) Offset V-belt drive provides flexibility impeller speed, decreases overall height, and protects the motor from moisture incursion.
- 2) High Shear impeller provides violent, high shear blending. Several styles available.
- 3) Large 24" diameter Manway with dump grid for dumping bags of powders and dry ingredients.
- 4) Double Mechanical seal standard with fluid flush support accessories.
- 5) Rugged shaft support bearings with Cartridge Automatic Lubricator.
- 6) Removable Shaft and Belt Guards.
- 7) Sprayball for CIP cleaning.
- 8) Air Vent.
- 9) Adjustable Balled Feet.
- 10) Bottom Outlet Ferrule.

Optional Accessories:

- Casters mounted on Frame for portability.
- Instrument Fittings and Temperature Wells
- Dial Thermometer
- Heat Transfer Jacketing on the Sidewall and Bottom with a Stainless Steel Insulated Outer Sheathing.
- Alternate Impeller styles, including Chopping blades and Enhanced Flow styles.
- Single Mechanical Seal

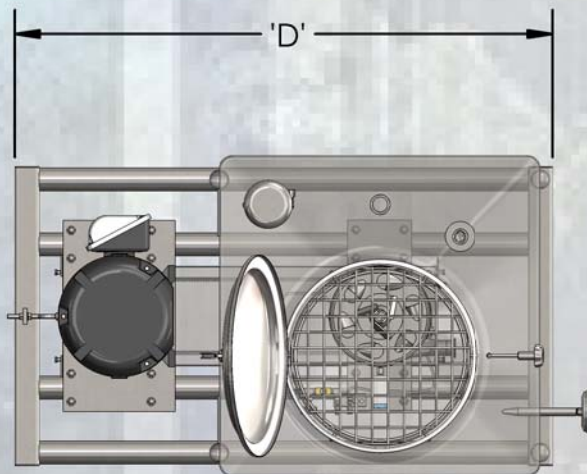




Feldmeier Rapidmixer Model 'RM'

CAPACITY	MOTOR HP	MANHOLE SIZE	IMPELLER SIZE	'A'	'B'	'C'	'D'	EST. SHIP WT
50 GAL	10 HP	18" DIA	7.5"	24-1/2	20	54-1/4	51-1/8	#1000
100 GAL	15 HP	24" DIA	10"	34-1/2	20	57-1/2	60-3/4	#1100
150 GAL	20 HP	24" DIA	10"	38	24	62-1/2	64-3/4	#1200
200 GAL	25 HP	24" DIA	12"	40	32	70-1/2	67-1/4	#1250
250 GAL	25 HP	24" DIA	12"	44	32	71-1/2	71-3/4	#1300
300 GAL	40 HP	24" DIA	12"	48	32	73	76-1/4	#1650
400 GAL	40 HP	24" DIA	12"	54	33	75-1/2	82-3/4	#1850
500 GAL	50 HP	24" DIA	12"	54	40	82	82-3/4	#2400
600 GAL	50 HP	24" DIA	12"	54	48	90	82-3/4	#2500

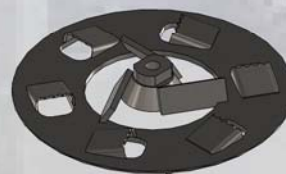
Impeller Options:



Standard Impeller



Standard Impeller with Chopper Blade



Enhanced Flow Impeller



Enhanced Flow Impeller with Chopper Blade

