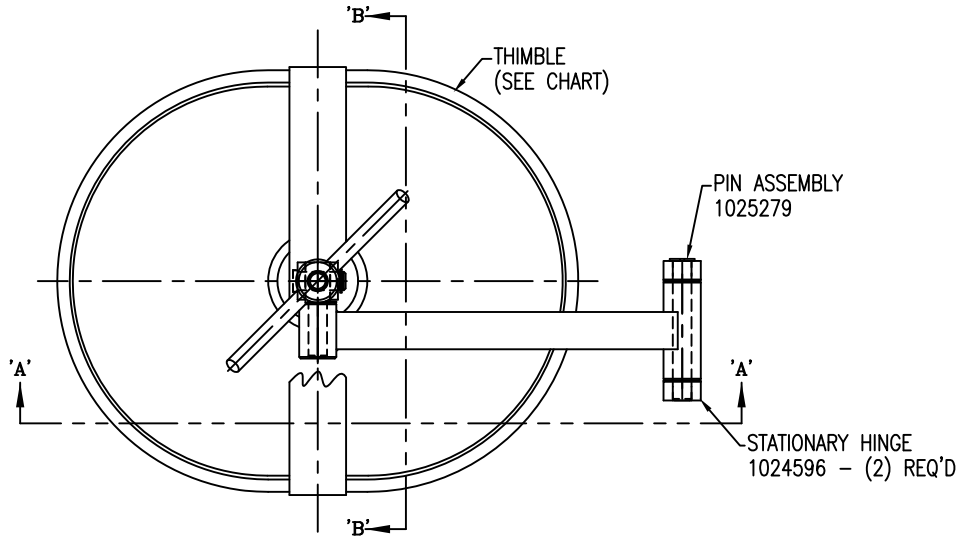


FAMILY CODE FC32
16"x20" IN-SWING MANWAY

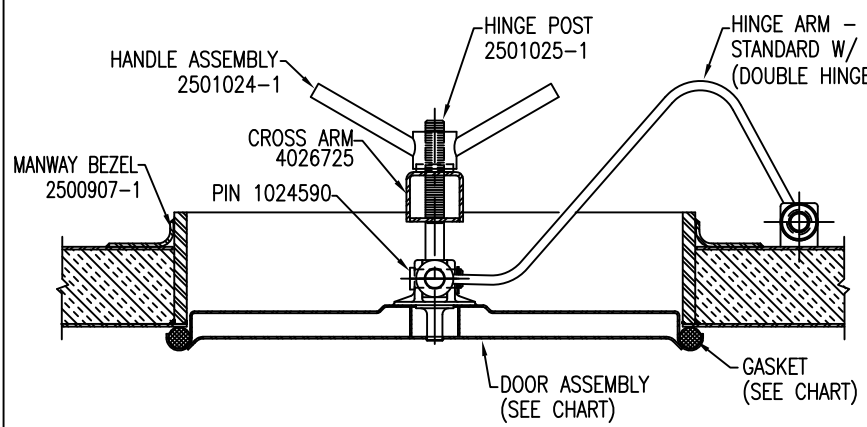
DIGITS 123 4 5 6 7 8 9 10

- 1ST, 2ND, 3RD DIGITS
MWS = MANWAY IN-SWING
- 4TH DIGIT - TYPE
0 = SINGLE SHELL
1 = INSULATED
2 = SINGLE SHELL THROUGH
-316L THIMBLE
- 5TH DIGIT - HINGE TYPE
0 = SINGLE PIECE
8009262
1 = DOUBLE HINGE ARM
STANDARD W/LONG THIMBLE
2501152
- 6TH DIGIT - MATERIAL (COVER)
1 = 304
4 = 316L
- 7TH DIGIT - THIMBLE SIZE
0 = 4-1/2" x 1/2"
4025356 304 SS
4025356-4 316L SS
- 8TH DIGIT - VALVE AND LOCATION
0 = NONE
2500912-1 304 SS
2500912-4 316L SS
1 = STANDARD LH SAMPLE VALVE
2500913-1 304 SS
2500913-4 316L SS
2 = STANDARD RH SAMPLE VALVE
2500914-1 304 SS
2500914-4 316L SS
3 = QMI LH SAMPLE PORT
2500919-1 304 SS
2500919-4 316L SS
4 = QMI RH SAMPLE PORT
2501346-1 304 SS
2501346-4 316L SS
5 = 1-1/2" LH SANITARY CLAMP CONN
2501103-1 304 SS
2501103-4 316L SS
6 = 1/2" LH SANITARY CLAMP CONN
2502026-1 304 SS
2502026-4 316L SS
7 = 1-1/2" RH SANITARY CLAMP CONN
2502157-1 304 SS
2502157-4 316L SS
- 9TH, 10TH DIGIT - GASKET MATERIAL
00 = NONE
01 = BUNA WHITE STANDARD
1554274
03 = EPDM GRAY (EP)
1554274EP
04 = VITON GRAY (VI)
1554274V
05 = EPDM WHITE (EPW) (NOT AVAILABLE)

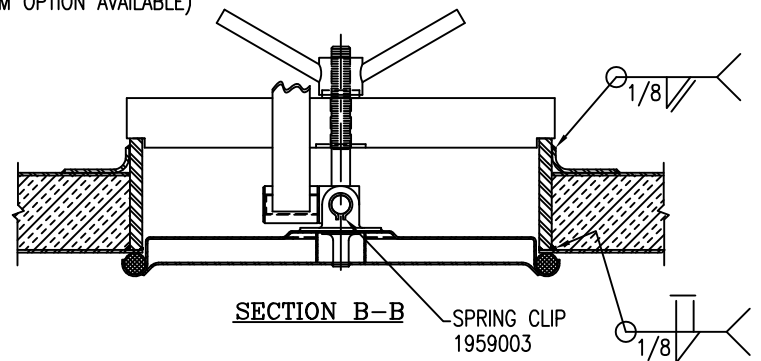


- NOTE:
- 1) DOOR ASSEMBLY TO BE CENTERED IN THIMBLE OPENING
 - 2) BREAK ALL SHARP CORNERS AND EDGES ON THIMBLE
 - 3) SEE FINAL ASSEMBLY DRAWING FOR INTERNAL AND EXTERNAL WELD FINISHED

SEE FINAL ASSEMBLY DRAWING FOR HINGE ORIENTATION



SECTION A-A



SECTION B-B

SEE DRAWING 2501993 FOR VALVE, HINGE ARM & THIMBLE INSTALL DETAILS

<p>ADDED OPTION 2 (316L THIMBLE) TO 4TH DIGIT - TYPE IN FAMILY CODE</p> <p>MOVED VALVE, HINGE ARM & LOCATION DETAILS TO DWG 2501993</p> <p>STANDARD GASKET WAS NEOPRENE - GRAY RUBBER</p> <p>ADDED TEFLON BEARING PER MFG</p> <p>ADDED FAMILY CODE CHART</p> <p>ADDED GASKET MATERIAL CHART</p> <p>REVISED GRAB BAR PER MFG, WAS 'U' SHAPED</p> <p>ADDED TEFLON BEARINGS TO HINGE, ADDED BEZEL TO BOW</p>	<p>6/6/12</p> <p>10/14/08</p> <p>03/04/08</p> <p>01/18/07</p> <p>11/06/06</p> <p>05/04/06</p> <p>02/18/06</p>	<p>APM</p> <p>CMH</p> <p>CMH</p> <p>ATB</p> <p>CMH</p> <p>CMH</p> <p>CMH</p>	<p>GRAB HANDLE WAS 4" ABOVE THIMBLE - REVISED TO 3"</p> <p>REVISED HINGE ARM WAS "DOUBLE HINGE" STYLE P/N 2500033</p> <p>REVISED DOORS PER DIE FORMED STYLE FOR ENCAPSULATED O-RING</p> <p>DOOR WAS 1" DEEP DELETED ALIGNMENT TABS</p> <p>ADDED OPTION NUMBERS TO CHART</p> <p>REVISED TO SHOW ALIGNMENT TABS ON UPDATED DOOR</p> <p>DELETED DRIVE BUMPER</p> <p>HANDLE ASSEMBLY WAS 4030527</p> <p>HINGE POST WAS 4025509</p>	<p>02/10/06</p> <p>11/20/01</p> <p>2/03/03</p> <p>5/23/02</p> <p>4/1/01</p> <p>3/2/01</p>	<p>CMH</p> <p>CMH</p> <p>RSS</p> <p>CMH</p> <p>CMH</p> <p>DLC</p> <p>RWZ</p>	<p>FILE#: L:\PROJECTS\PROD\</p> <p>DRAWN BY: DKB</p> <p>FELDMER EQUIPMENT 575 E. Mill Street Little Falls, NY 13365</p> <p>SCALE: X5</p> <p>ENGRG. Approved By CI</p> <p>REV M</p> <p>DATE: 09/09/00</p> <p>SHEET: 1 of 1</p> <p>MANWAY DETAILS 16x20 - 4-1/2"x1/2" THIMBLE W/O-RING GASKET - INSULATED TANKS</p> <p>DRAWING NO. 2500910</p>
---	---	--	--	---	--	---