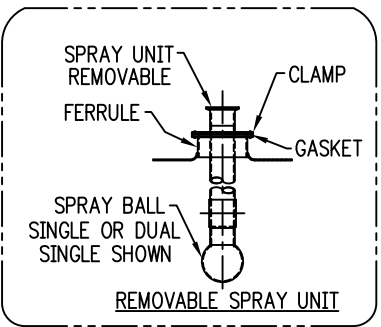
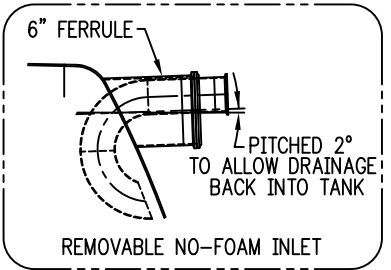
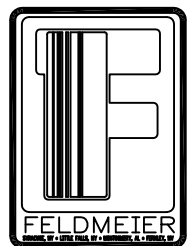
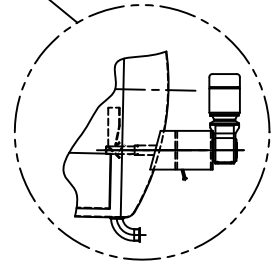


CAPACITY GALLONS	DIM 'A'	DIM 'B'	DIM 'C'	NO. OF LEGS	SHIP WT LBS.
500	48"	65"	81-1/4"	4	1,468
600	48"	80"	96-1/4"	4	1,537
800	57"	72"	91-1/4"	4	1,635
1,000	57"	96"	115-1/4"	6	1,759
1,000	66"	60"	82-1/2"	4	1,714
1,500	66"	96"	118-1/2"	6	1,954
2,000	72"	109"	133"	6	2,160
2,000	84"	72"	100-1/2"	4	2,309
2,500	84"	96"	124-1/2"	6	2,480
3,000	84"	120"	148-1/2"	6	2,715
3,500	84"	144"	172-1/2"	8	2,436
4,000	96"	120"	152-1/2"	6	2,766
4,500	96"	133"	165-1/2"	8	2,928
5,000	96"	150"	182-1/2"	8	3,093
6,000	96"	184"	216-1/2"	10	3,420
7,000	96"	218"	250-1/2"	12	3,747
5,000	110"	106"	143"	6	3,365
6,000	110"	133"	170"	8	3,748
7,000	110"	158"	195"	8	4,102
8,000	110"	184"	221"	10	4,474
10,000	110"	240"	277"	12	5,259
6,000	120"	105"	145-1/2"	6	3,967
7,000	120"	127"	167-1/2"	8	4,309
8,000	120"	149"	189-1/2"	10	4,651
9,000	120"	170"	210-1/2"	10	4,976
10,000	120"	192"	232-1/2"	10	5,312

*OTHER SIZES AVAILABLE - CONSULT FELDMEIERS EQUIPMENT SALES FOR INFORMATION AND PRICING

- NOTES:
- 1.) ALL DIMENSIONS AND FITTING LOCATIONS TO BE VERIFIED ON THE SUBMITTAL DRAWINGS.
 - 2.) SEE ACCESSORY LISTING FOR ALL OTHER AVAILABLE ACCESSORIES.
 - 3.) SINGLE SPRAY UNIT RATED FOR 40 GPM @ 25 PSIG
 - 4.) DUAL SPRAY UNIT RATED FOR 80 GPM @ 25 PSIG

CAUTION
 MANWAY DOOR
 MUST BE OPEN
 DURING C.I.P.
 CAUTION STICKER DETAIL



**FELDMEIERS
 EQUIPMENT**
 575 E. Mill Street
 Little Falls, NY 13365
 FILE#: L:\PROJECTS\OUTSHEETS\CH-TANK.DWG

REV A EFFECTIVE 11/12/08
 DIMENSION SHEET
 CH-TANK HORIZONTAL
 SINGLE SHELL TANK