



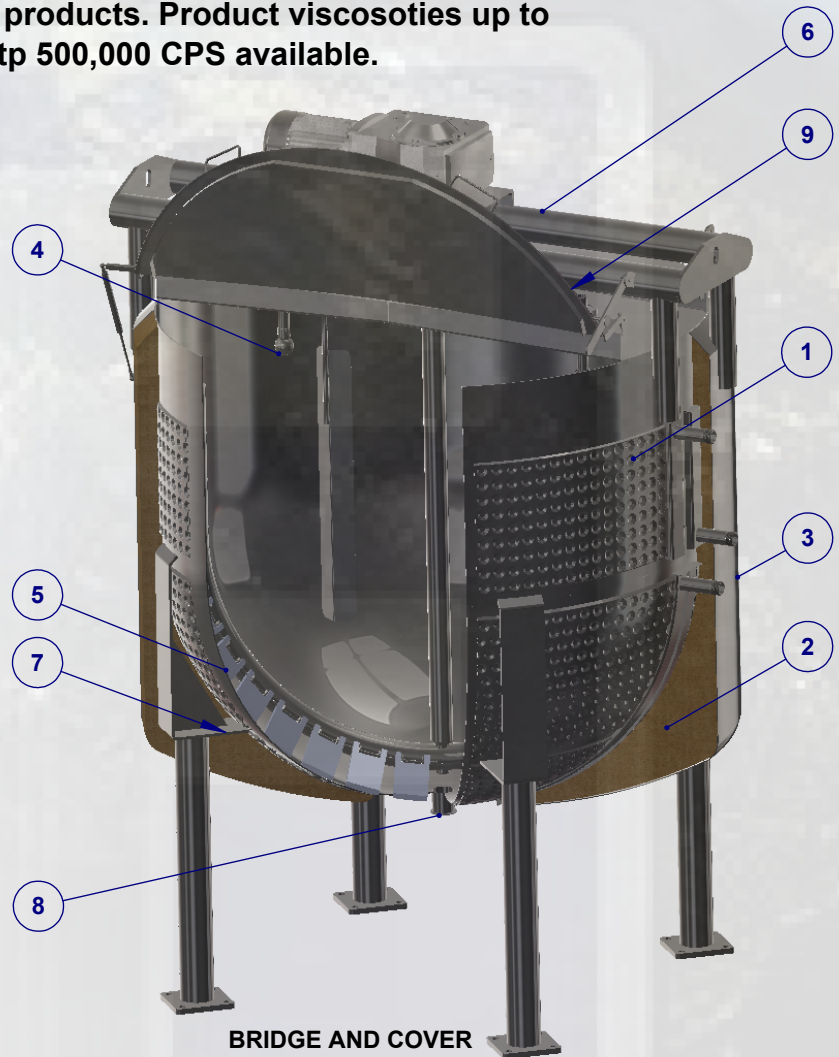
Feldmeier Hemispherical Bottom Kettle 'KT'

The Feldmeier Hemispherical Bottom Kettle is a jacketed process vessel with numerous agitation offerings. The hemispherical bottom allows full scraper coverage without dead zones. Feldmeier Kettles feature rugged dimple jackets for heating and cooling and are fully insulated. It is available in Bridge and Cover and Dome Top configurations.

Typical Applications: Sauces, Meat Processing, Confectionary Products, Soups and Soup Bases, and many other products. Product viscosities up to 5,000 CPS Standard, with viscosities up to 500,000 CPS available.

Standard Features:

- 1) Dimple jacket complete coverage for steam or water media. Pressures up to 150 PSI @ 350° F. ASME certification readily available.
- 2) Heat transfer surface fully insulated with Chloride free insulation.
- 3) Heavy duty fully welded Stainless Steel insulation sheathing.
- 4) Numerous CIP cleaning devices available.
- 5) Rugged scraper blades available in several FDA approved materials.
- 6) Sturdy motor rail supports.
- 7) Unique leg attachment welded directly to the sidewall and bottom, preventing cracking of the jacket seam weld common with open style jackets.
- 8) Tri-clamp ferrule outlet standard.
- 9) Spring assisted latching covers (Bridge and Configuration).
- 10) Large 'D' style manway opening for ingredient addition (Dome Top Configuration).



Optional Accessories:

- Agitation lift options.
- Instrument Fittings and Temperature Wells
- Dial Thermometer and instrumentation.
- Many Outlet valve options
- Complete vessel tilt options.
- Vessel pressure rating available (ASME certification).
- Agitator shaft seal options.
- Load cell weighing systems.
- Complete control packages.





Feldmeier Hemispherical Bottom Kettle 'KT'

CAPACITY	'I.D.'	'STR SD'	'HB'	'HD'	EST. SHIP WT
50 GAL	30"	12"	52"	58-3/4"	#750
100 GAL	36"	16"	59"	66-1/2"	#850
150 GAL	44"	16"	63"	71-3/4"	#1050
200 GAL	48"	18"	65"	74-1/4"	#1250
250 GAL	48"	24"	73"	82-1/4"	#1400
300 GAL	54"	24"	76"	86"	#1550
400 GAL	62"	20"	75"	87"	#1650
500 GAL	62"	24"	79"	91"	#1850
600 GAL	72"	20"	81"	93-1/2"	#1950
750 GAL	72"	30"	91"	103-1/2"	#2000
1,000 GAL	72"	48"	103"	115-1/2"	#2500
1,500 GAL	84"	42"	109"	123"	#4500
2,000 GAL	95"	48"	115"	132"	#7500

