

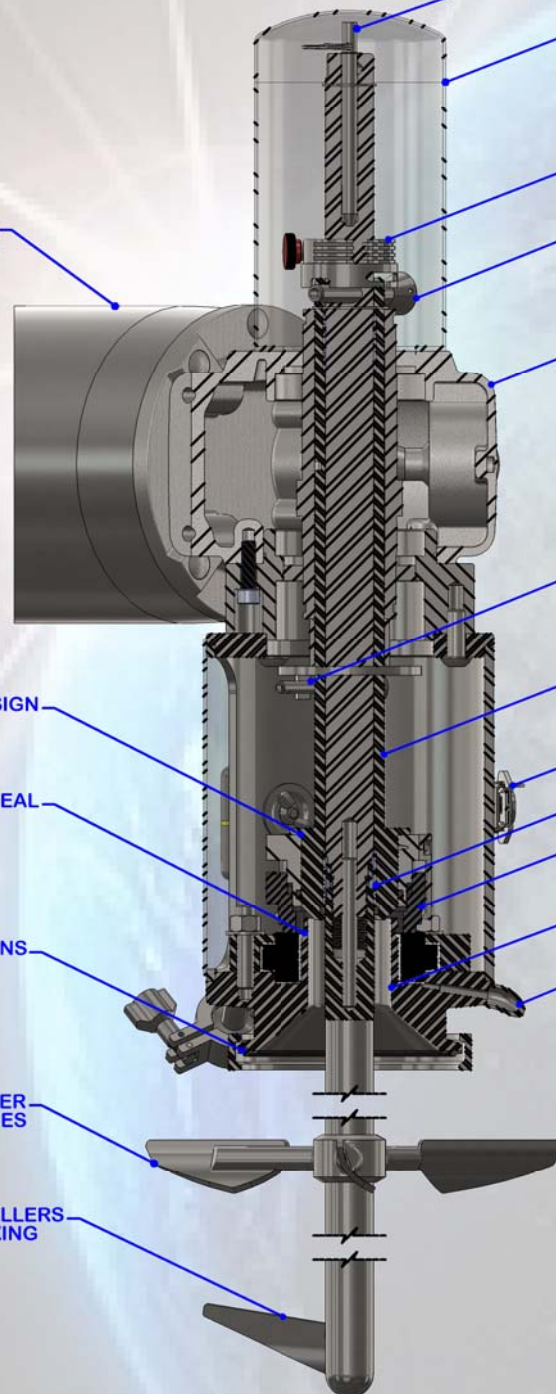
# FELDMEIER FARMAMIXER

## PORTABLE SERIES

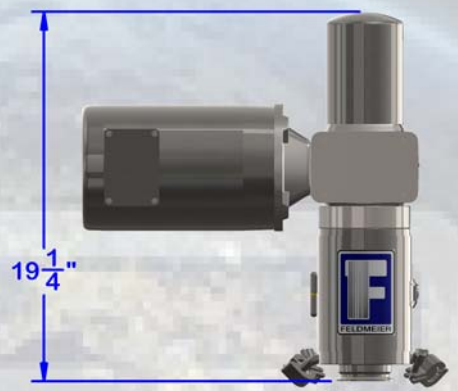
### AVAILABLE SIZES

### CONSTRUCTION

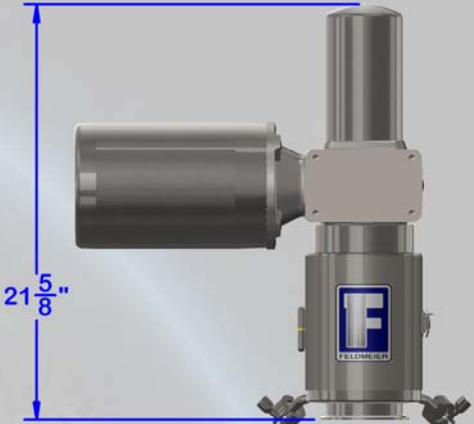
BOSTON GEAR STAINLESS STEEL INVERTER DUTY MOTOR STANDARD. SEE OPTIONS SHEET FOR OTHER AVAILABLE MOTORS.



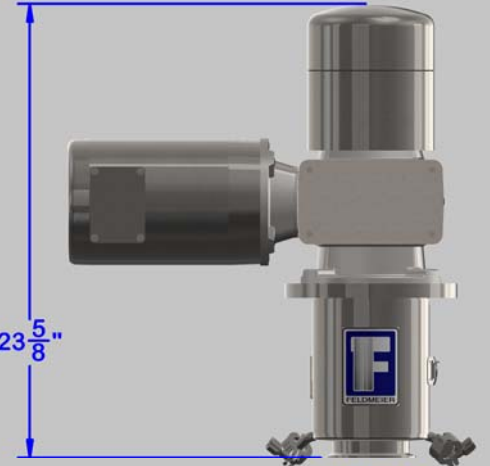
- SUPPLIED CLEVIS PIN CAN BE USED AS A HANDLE TO LIFT AND ROTATE SHAFT
- EASILY REMOVABLE DUST COVER
- SHAFT HOLDING TOOL SECURED TO SHAFT DURING OPERATION
- IMPELLER SHAFT DRIVE PIN TO DISENGAGE IMPELLER SHAFT FROM QUILL SHAFT
- BOSTON GEAR STAINLESS STEEL 'C'-FACE REDUCER STANDARD ON ALL FARMAMIXERS



**SIZE 718**  
 MOUNT SIZE: 2-1/2" TRI-CLAMP  
 SHAFT SIZE: Ø5/8"  
 SEAL SIZE: 1-1/2"  
 MAXIMUM SHAFT LENGTH: 30"  
 WEIGHT: APPROX 90 LBS



**SIZE 721**  
 MOUNT SIZE: 4" TRI-CLAMP  
 SHAFT SIZE: Ø1"  
 SEAL SIZE: 2"  
 MAXIMUM SHAFT LENGTH: 42"  
 WEIGHT: APPROX 110 LBS



**SIZE 726**  
 MOUNT SIZE: 4" TRI-CLAMP  
 SHAFT SIZE: Ø1-1/4"  
 SEAL SIZE: 2"  
 MAXIMUM SHAFT LENGTH: 60"  
 WEIGHT: APPROX 130 LBS

- UNIQUE THRUST COLLAR ALLOWS FOR INSPECTION OF DEBRIS WELL AREA AND SEAL FACES WITHOUT THE NEED FOR TOOLS. HOLDS THE QUILL SHAFT IN PLACE FOR EASIER SEAL SERVICE. USES QUICK RELEASE PIN TO SECURE THE COLLAR IN PLACE.
- OVERSIZED QUILL SHAFT ISOLATES IMPELLER SHAFT DEFLECTIONS FROM THE SEAL
- REMOVABLE DOOR WITH PADLOCKABLE LATCH
- SHAFT COUPLING OUT OF THE PRODUCT
- JOHN CRANE TYPE 32I DRY RUNNING SINGLE MECHANICAL SEAL. CARBON/CERAMIC FACES STANDARD OTHER SEALS AND FACE MATERIALS AVAILABLE
- ENLARGED ANNULAR CLEARANCE BETWEEN SHAFT AND DEBRIS WELL
- EXTERNAL CLEANOUT PORTS FOR PERIODIC DEBRIS WELL FLUSHING. SANITARY 1/2" TRI-CLAMP

SEAL HEIGHT FIXED BY DESIGN NO MEASUREMENT NEEDED

DEBRIS WELL TRAPS SEAL CARBON FINES

TRI-CLAMP SANITARY CONNECTIONS STANDARD, OTHER CONNECTION STYLES AVAILABLE

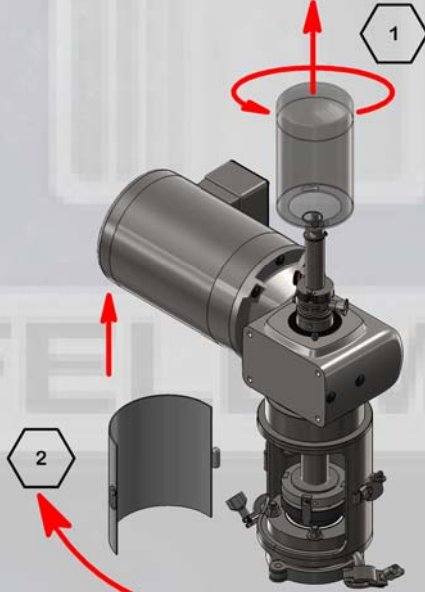
FELDMEIER EZ KLEAN IMPELLER NO CIP SHADOWED SURFACES

LOW LEVEL UPSWEEP IMPELLERS FOR MINIMUM VOLUME MIXING

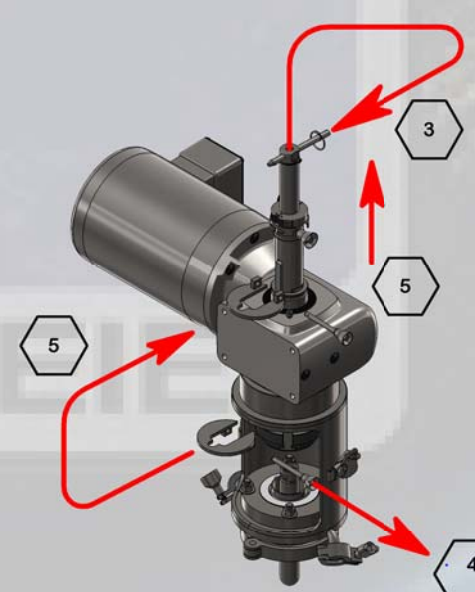
### BENEFITS:

- QUILL SHAFT DESIGN ISOLATES THE SEAL FROM NORMAL IMPELLER SHAFT DEFLECTIONS.
- ENLARGED ANNULAR CLEARANCE BETWEEN SHAFT AND DEBRIS WELL FOR EASY INSPECTION AND ENHANCED CLEANING PERFORMANCE.
- IMPELLER SHAFT CAN BE LIFTED UP TO ALLOW THE USE OF HINGED TOPS WITHOUT DISTURBING THE SEAL. NO LIFTS OR HOISTS ARE REQUIRED TO OPEN THE LID.
- THE SEAL CAN BE SERVICED WITHOUT REMOVING THE IMPELLER SHAFT OR GEAR REDUCER. EASY, ONE HAND REMOVAL OF THE DELICATE SEAL FACES WITH BOTH SHAFTS SECURED.
- SEAL HEIGHT FIXED BY DESIGN. NO MEASUREMENT OR GUESSWORK NECESSARY.
- STANDARD FELDMEIER EZ KLEAN IMPELLER WITH NO CIP SHADOWED SURFACES GUARANTEES EFFECTIVE CLEANING.
- REMOVABLE TOP VESSELS REQUIRE NO IN TANK COUPLING. THE SHAFT COUPLING IS SEALED INSIDE THE QUILL SHAFT.
- MIXER CAN BE SHIPPED ASSEMBLED WITH SEAL INSTALLED.
- DEBRIS WELL PREVENTS SEAL CARBON FINES AND OTHER CONTAMINATES FROM ENTERING THE VESSEL.
- EXTERNAL DEBRIS WELL FLUSH PORTS ARE 1/2" TRI-CLAMP SANITARY CONNECTIONS.
- LOWEST POSSIBLE MIXING LEVELS ACHIEVABLE WITH THE LOWER UPSWEEP IMPELLER.
- SANITARY TRI-CLAMP MOUNTING CONNECTION. OTHER CONNECTIONS AVAILABLE.
- ALL STAINLESS STEEL CONSTRUCTION STANDARD.
- REQUIRED DOCUMENTATION IS STANDARD AND IS INCLUDED IN THE PRICE (MATERIAL CERTIFICATION, CERTIFICATE OF ELECTROPOLISH, FINISH MEASUREMENTS, WELDER DOCUMENTATION, ETC...).
- SEAL CAN BE BENCH TESTED AND LEAKAGE RATES DOCUMENTED.
- MANY IMPELLER STYLES AND ACCESSORIES ARE AVAILABLE.

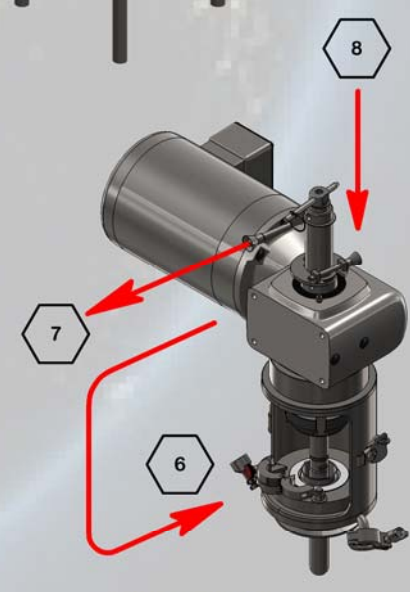
### IN SITU SEAL SERVICE



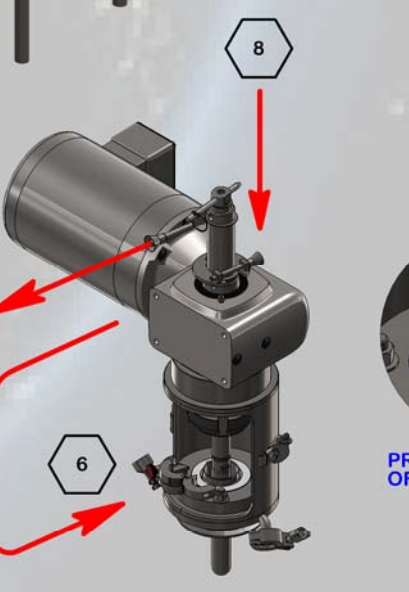
1) TWIST AND REMOVE TOP DUST COVER.



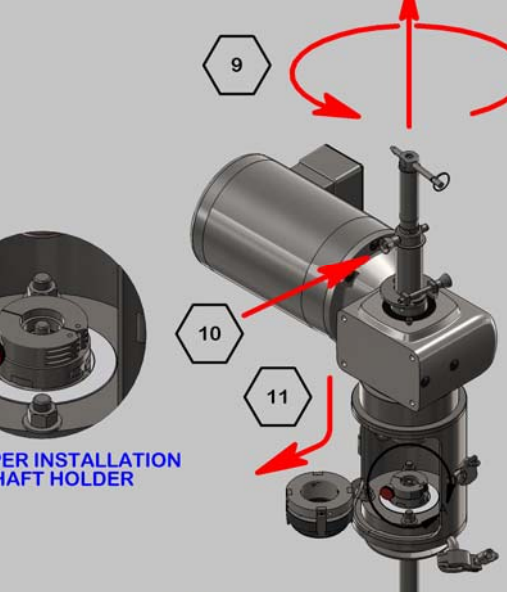
2) OPEN DOOR AND REMOVE FROM HOUSING.



3) REMOVE THE CLEVIS PIN FROM THE UPPER SHAFT AND INSERT IT INTO THE CROSS HOLE.



4) REMOVE THE QUICK RELEASE PIN FROM THE THRUST COLLAR, AND REMOVE THE THRUST COLLAR.



5) SLIDE UP THE QUILL SHAFT THROUGH THE BORE OF THE REDUCER UNTIL THE SLOTS IN THE QUILL SHAFT ARE VISIBLE. SECURE THE QUILL SHAFT WITH THE THRUST COLLAR.

6) REMOVE THE SHAFT HOLDER FROM THE UPPER SHAFT.

7) REMOVE THE IMPELLER SHAFT DRIVE PIN.

8) PUSH THE IMPELLER SHAFT DOWN THROUGH THE QUILL SHAFT UNTIL THE BOTTOM OF THE SLOTS OF THE LOWER IMPELLER SHAFT ARE FLUSH WITH TOP OF THE DEBRIS WELL AND INSTALL THE SHAFT HOLDER.

9) UNTHREAD THE UPPER AND LOWER IMPELLER SHAFTS.

10) PULL THE UPPER IMPELLER SHAFT UP AND INSTALL THE IMPELLER DRIVE PIN.

11) THE SEAL MAY NOW BE REMOVED AND SERVICED ON A BENCH.

- ### COVER OPENING SEQUENCE
- 1) TWIST AND REMOVE DUST CAP.
  - 2) REMOVE CLEVIS PIN AND INSTALL IN UPPER IMPELLER SHAFT TO BE USED AS A LIFTING HANDLE
  - 3) PULL IMPELLER SHAFT DRIVE PIN.
  - 4) PULL UP SHAFT TO CLEAR TANK SIDEWALL.

FELDMEIER GEAR REDUCED MANUAL LIFT ASSIST WITH PROGRESSIVE TRAVEL SAFETY LATCH OPTIONAL

LOW LEVEL MIXING

PROPER INSTALLATION OF SHAFT HOLDER